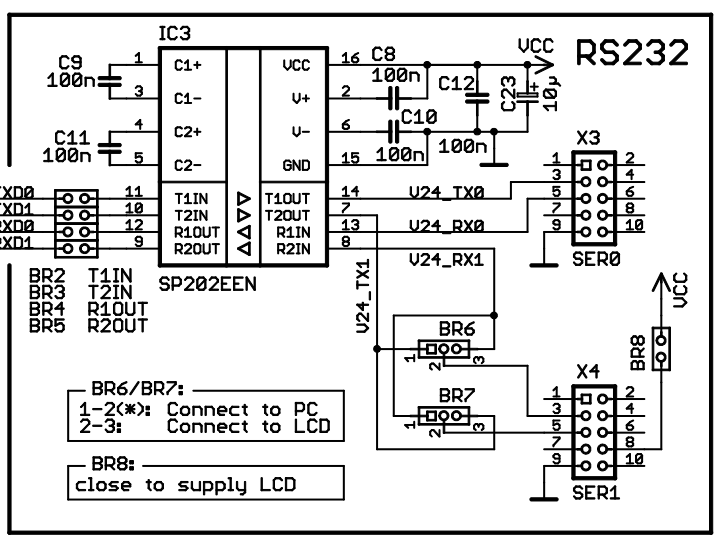
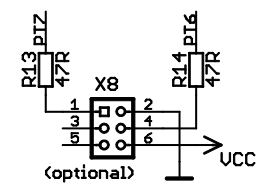
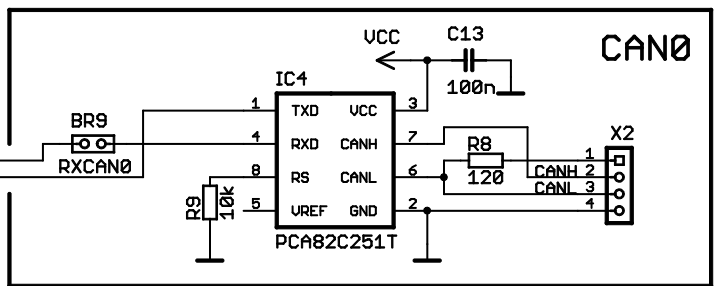


BR1: URH
 Open: external URH
 Close(*): URH=UDDA



BR6/BR7:
 1-2(*): Connect to PC
 2-3: Connect to LCD

BR8:
 close to supply LCD



CardS12

<http://elmicro.com/en/cards12.html>

(C)2003-2006 by Oliver Thamm
 Elektronikladen | ELMICRO

REV: 1.10

Date: 09.08.2007 13:01:44 Sheet: 1/1